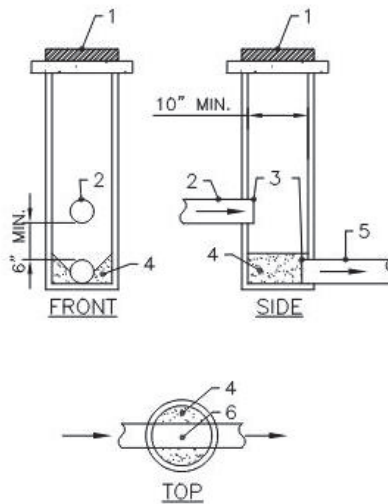


Standard Details – Pretreatment



NOTES:

1. SAMPLE PORT RING AND LID
2. INTERCEPTOR DISCHARGE LINE
3. PIPE PENETRATION (EXTEND 1" PAST THE INSIDE WALL OF THE SAMPLE PORT – MUST BE SEALED TO PREVENT LEAKS. IF USING PVC, A SADDLE MUST BE USED)
4. GROUT (SLOPED TO WASTEWATER CHANNEL – THE SAMPLE PORT MUST DRAIN COMPLETELY AND NOT HOLD WATER)
5. SAMPLE PORT DISCHARGE LINE TO CITY'S SANITARY SEWER
6. CHANNEL

REQUIREMENTS:

1. ALL INTERCEPTORS ARE TO BE INSTALLED WITH A SAMPLING PORT THAT RECEIVES FLOW FROM THE INTERCEPTOR'S EFFLUENT.
2. TEE PIPING ON THE INTERCEPTOR'S INTERIOR WILL NOT SUFFICE AS A SAMPLE PORT
3. SAMPLE PORTS MUST BE LOCATED IN AREAS PROTECTED FROM VEHICLE TRAFFIC.
4. SAMPLE PORTS ARE TO BE CLEANED AND INSPECTED DURING ROUTINE INTERCEPTOR PUMPING
5. SAMPLE PORTS WILL HAVE A MINIMUM 10" DIAMETER ACCESS COVER
6. SAMPLE PORTS WILL HAVE A MINIMUM 6" DROP BETWEEN INLET AND DISCHARGE PIPING
7. SAMPLE PORTS MUST DRAIN COMPLETELY AND NOT HOLD WATER. BOTTOM TO BE GROUTED AND SLOPED
8. INLET PIPE PENETRATION MUST EXTEND 1" PAST THE INSIDE WALL OF THE SAMPLE PORT. PENETRATIONS ARE TO BE SEALED TO PREVENT LEAKS
9. CHANNEL WIDTH SHALL BE A MINIMUM OF 5"

PT.3 **SAMPLE PORT DESIGN**
N.T.S.