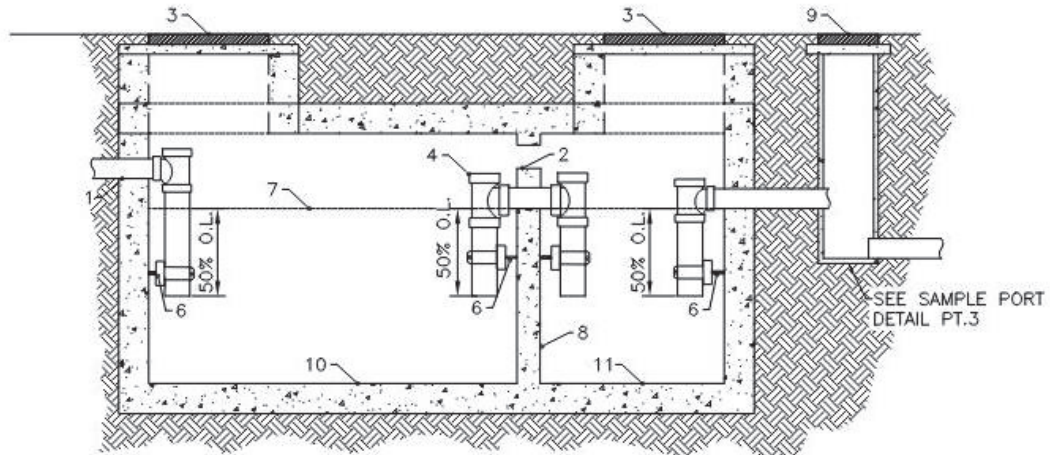
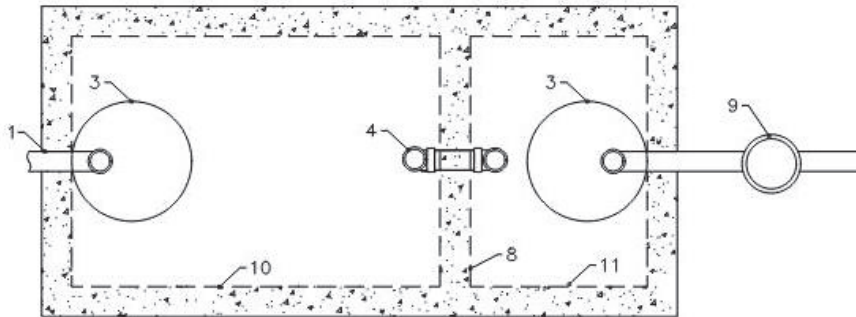


Standard Details – Pretreatment



ELEVATION VIEW



PLAN VIEW

NOTES:

1. INLET PIPING—SHALL BE A MINIMUM OF 3" ABOVE OUTLET PIPING.
2. 6" DIAMETER VENT SLEEVE
3. MINIMUM 24" DIAMETER OPENING WITH RING AND LID. IF IN A TRAFFIC AREA, MUST MEET H-20 LOADING REQUIREMENTS. CONCRETE LIDS ARE PROHIBITED.
4. ALL TEE PIPING SHALL EXTEND DOWN TO 50% OF THE OPERATING LEVEL.
5. ALL INTERIOR AND OUTLET PIPING SHALL BE THE SAME DIAMETER AS THE INLET PIPING.
6. PIPE SUPPORTS SEE CK STANDARD DETAIL PT.7
7. OPERATING LEVEL
8. BAFFLE WALL
9. SAMPLE PORT—TO BE DESIGNED PER CK STANDARD DETAIL PT.3. IF IN A TRAFFIC AREA, MUST MEET HS-20 LOADING REQUIREMENTS. SHALL DISCHARGE TO CITY'S SANITARY SEWER.
10. PRIMARY CHAMBER (2/3 TOTAL VOLUME).
11. SECONDARY CHAMBER (1/3 TOTAL VOLUME).
12. ALL JOINTS SHALL BE WATER TIGHT. JOINTING MATERIAL SHALL BE "RAM-NEK" OR EQUAL
13. SEE CHAPTER 7 OF THE DESIGN AND CONSTRUCTION STANDARDS FOR INSTALLATION REQUIREMENTS.
14. ALL UNDER SLAB AND SUBSURFACE CONSTRUCTION REQUIRES DRAWINGS FROM A PROFESSIONAL ENGINEER AND MUST BE APPROVED BY THE CITY OF KALISPELL PRIOR TO CONSTRUCTION.

FOR MORE INFORMATION, CONTACT THE INDUSTRIAL PRETREATMENT COORDINATOR'S OFFICE AT 406-758-7817

PT.1

**TYPICAL PRECAST CONCRETE EXTERIOR GREASE INTERCEPTOR
N.T.S**